



Installation guide for RECAIR air handling units

This manual is for installers of Recair air handling units

CONTENTS

1	RECEPTION	3
1.1	Receiving the air handling unit shipment.....	3
1.2	Markings.....	3
1.3	Installation equipment and spareparts	3
2	LIFTING AND STORAGE.....	3
2.1	Lifting order.....	3
2.2	Lifting the air handling machines	3
2.3	Storage	4
3	INSTALLING THE MACHINE FRAME	4
3.1	Machine frame	4
3.2	Delivery and connection of machine frames.....	4
3.3	Machine frame feet and adjustment	4
3.4	Installing machine blocks on a frame	5
4 CONNECTION OF THE MACHINE BLOCKS TO EACH OTHER AND TO THE CHANNEL SYSTEM		
4.1	Connecting the machine blocks to each other.....	5

1 RECEPTION

1.1 Receiving the air handling unit shipment

Check the shipping list to make sure all equipment has been shipped. In particular, you should check spare filters, spare belts and mounting accessories. If any goods are missing, make a note of the defects in the consignment note and send a copy of the consignment note to ETS NORD Recair.

1.2 Markings

It is recommended to inspect the received goods of each machine. The symbols of the machines are marked on the protective plastic with a waterproof marker. The project number, machine ID, block number and block weight are also marked with a marker at the end of the machine block, inside the profile.

1.3 Installation equipment and spare parts

The installation equipment and this manual are delivered in their own installation accessories box. If the filters and any spare filters fit, they will be inside the filter compartment in their own cardboard boxes. The spare belts are always packed inside the fan section, unpacked, attached to the fan frame. Maintenance instructions can be found in their own pocket on the side of the air handling unit. **Leave the service instructions on the air handling unit for the service personnel.**

2 LIFTING AND STORAGE

2.1 Lifting order

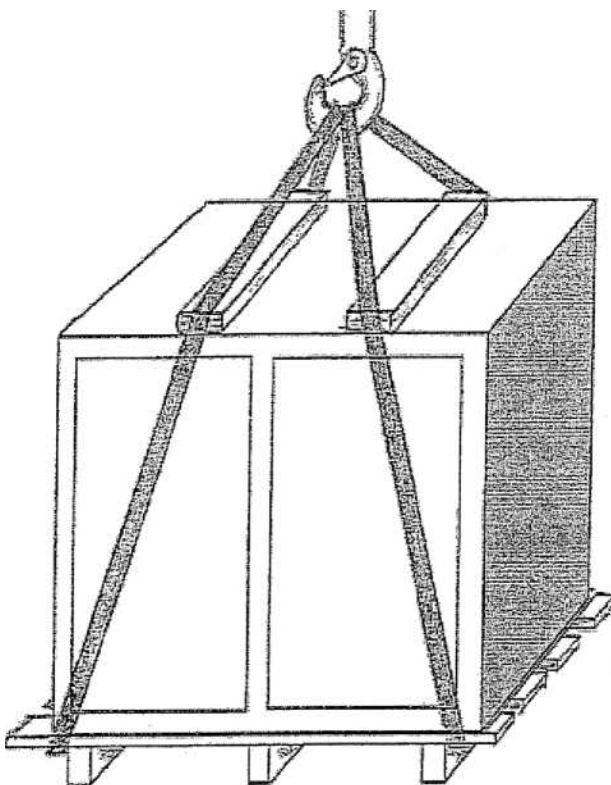


Image: When lifting with slings, lift only from the corners of the platforms. The upper part must be protected with a transverse bracket.

The lifting arrangement can be planned by comparing the machine image/machine run (machine-specific), which shows the block numbers, with the block numbers marked with a marker, either in plastic (packed) or at the end of the machine blocks, with the profile (packed plastic unpacked).

2.2 Lifting the air handling machines

The products are delivered strapped on a wooden pallet, unless otherwise agreed with the customer. The wooden pallet allows lifting from all sides with forks and transfer with a pump cart / forklift. The products should be lifted and moved to their installation location without unpacking them. This will prevent damaging the products during the haulage. Lifting with lifting slings should be done in the fork direction with slings under the wooden pallet.

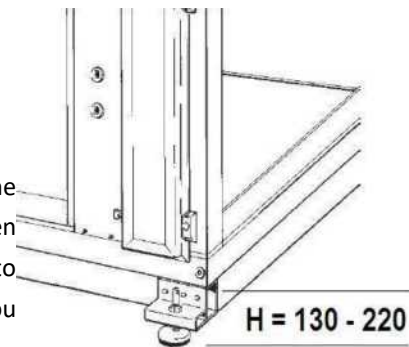
2.3 Storage

Air conditioners should be stored in a dry place, protected from rain and dirt. The protection of the products when leaving the factory is the plastic attached to the product. It is not advisable to store the products wrapped in plastic for more than a few days, as water will easily condense inside the package, damaging the product. The packaging should only be unpacked after the air handling unit has been installed.

3 INSTALLING THE MACHINE FRAME

3.1 Machine frame

The use of a machine frame is recommended whenever possible, as the adjustable machine frame allows the best installation even on an uneven floor. The height of the machine frame foot can be adjusted from 130 to 220 mm. The end of the foot is attached with a ball joint, which allows you to change the angle of the foot.



3.2 Delivery and connection of machine frames

Machine frames are delivered in machine-specific lengths. Adjustable feet are delivered in an accessory box. The project number and machine ID are marked on the frames with a marker. Several frames can be placed under the same air handling unit. For this purpose, a mounting plate is mounted on the ends of the machine frames.

If you want to connect the machine frames:

- 1) Unscrew and remove the screw farther from the end of the frame
- 2) Rotate the mounting plate around the second screw around 180 degrees (the screw can be loosened)
- 3) Place the ends of the frames together (pieces of plastic can be removed if necessary)
- 4) Screw the mounting plate with a 1) -step screw to the other frame
- 5) Tighten both screws
- 6) Repeat on the other side of the frame

Connecting the frames together facilitates the installation of the air handling unit and ensures that adjacent machine frames will not escape during machine installation.

3.3 Machine frame feet and adjustment

The number of legs on the machine frame depends on the weight of the machine. The distance between the pairs of legs is usually max. 1500-2000mm. After installing the machine frame, make sure that the frame is completely horizontal, and the adjustable feet are locked. It is recommended to use a spirit level for adjustment.

3.4 Installing machine blocks on a frame

1. Make sure the frame is level and the adjustment feet are locked
2. Check the order of the machine blocks in the machine picture provided by Recair
3. Place the heaviest (weight [kg] in the profile) block or the one at the back in the engine room on the platform first
4. Check the exact location of the block on the frame from the machine image
5. Bring the machine blocks on the platform side by side
6. Connect the blocks together with Recair's own quick-release mechanism (Chapter 4)

4 CONNECTION OF THE MACHINE BLOCKS TO EACH OTHER AND TO THE CHANNEL SYSTEM

4.1 Connecting the machine blocks to each other

The joint seal of the machine blocks of Recair air handling units is already installed at the factory. The blocks are connected with a fast-coupling system developed by Recair. Locking pieces are delivered in the accessory box. There are 4 locking points per joint, at each corner. An "A" ratchet is recommended for installing the locking pieces.

1. Place the blocks side by side.
2. Ensure the block order in the picture.
3. Push the blocks together.
4. Place the locking piece on top of the corner pins as shown in figure A.
5. Use a knob to turn the locking piece 90 degrees.
6. The locking piece engages the setting holes as shown in figure B.
7. Attach the following locking pieces (4pcs/joint in total).
8. Check the position of the joint seal on the inside. The joint seal should be visible from the inside of the machine to the same extent throughout, making it tight.

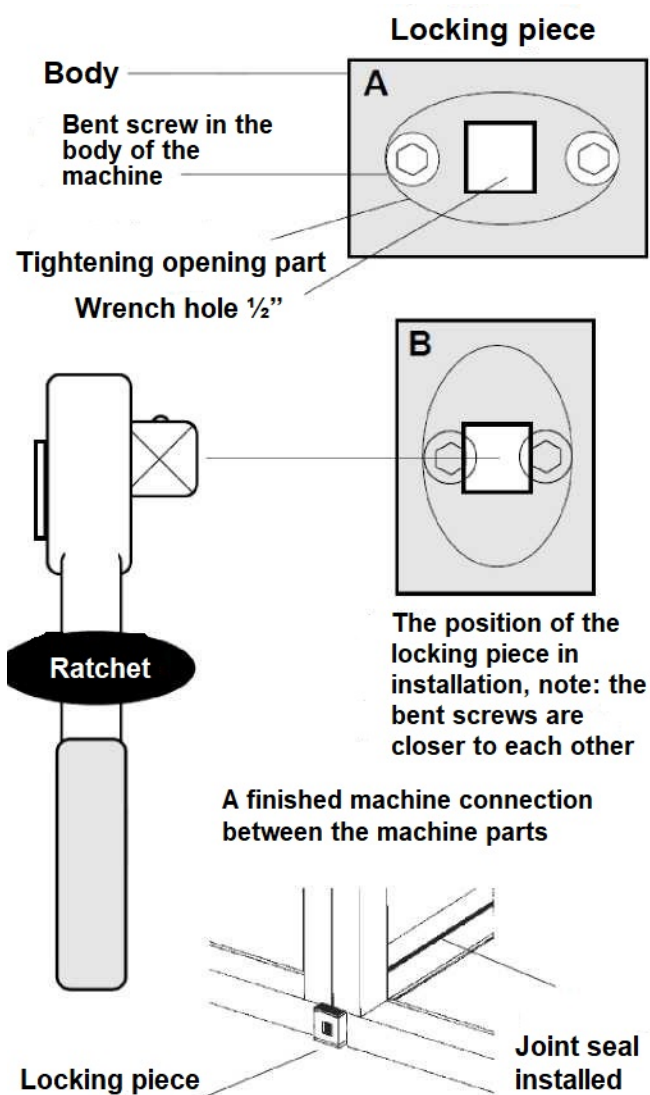


Image:

- 1) Locking piece
- 2) Body
- 3) Bent screw in the body of the machine
- 4) Tightening opening part
- 5) Wrench hole ½"
- 6) Ratchet
- 7) The position of the locking piece in installation, note: the bent screws are closer to each other
- 8) A finished machine connection between the machine parts
- 9) Joint seal installed
- 10) Locking piece